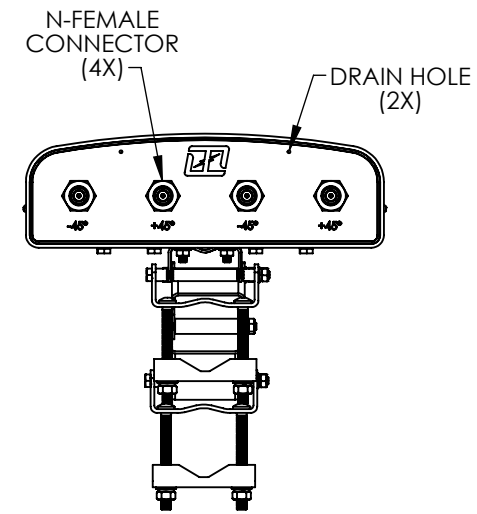
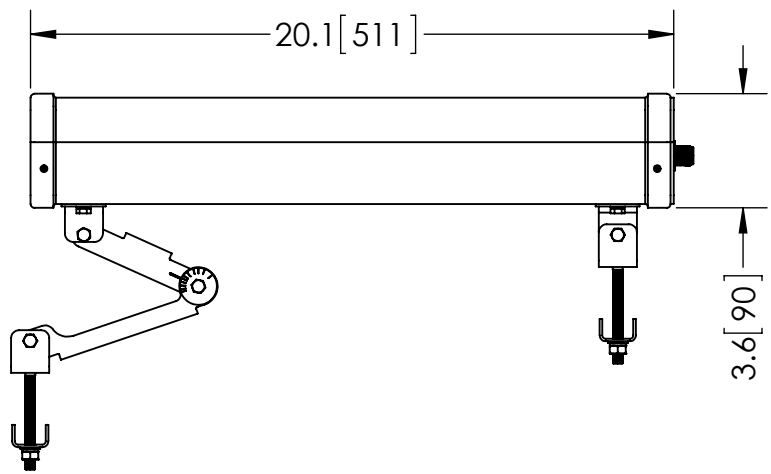
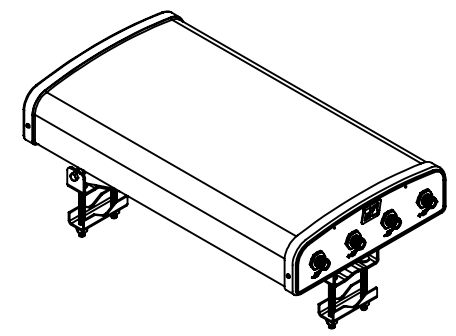
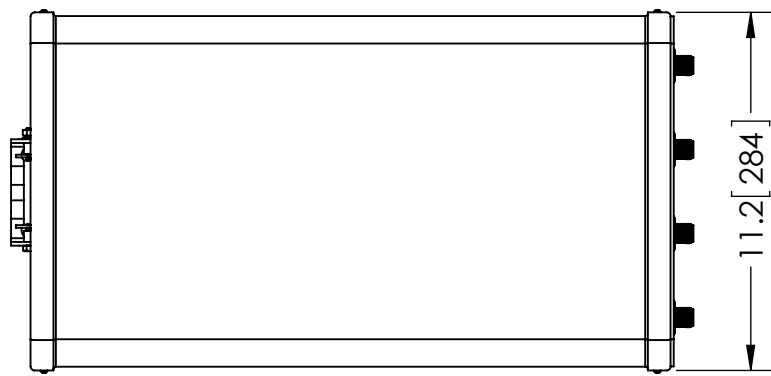


THE INFORMATION CONTAINED IN THIS DRAWING IS THE SOLE PROPERTY OF L-COM, INC. ANY REPRODUCTION IN PART OR WHOLE WITHOUT THE WRITTEN PERMISSION OF L-COM, INC. IS PROHIBITED.

REVISIONS			
REV	DESCRIPTION	DATE	APPROVED
A	INITIAL RELEASE	8/28/13	D.GRIFFIN
-	-	-	-



**NOTES:**  
 PACKAGING:  
 COMPONENT SHALL BE PACKAGED IN ACCORDANCE WITH L-COM SPEC PKG-00102.

- ALL DIMENSIONS FOR REFERENCE ONLY -

**REGULATORY COMPLIANCE:**  
 RoHS, CE

UNLESS OTHERWISE SPECIFIED, DIMENSIONS ARE IN INCHES [mm]  DIMENSIONAL TOLERANCES: .X = ±.1 .XX = ±.01 .XXX = ±.005  ANGULAR TOLERANCES: ALL = ± 1°	APPROVALS	DATE	 45 BEECHWOOD DRIVE NORTH ANDOVER, MA 01845
	DRAWN BY B.PUCHASKI	08/27/13	
PROJECTION 	CHECKED BY P.PESA	08/27/13	CATEGORY <b>ANTENNA</b>
	APPROVED BY P.PESA	08/27/13	
CONFIGURATION DETAILS OF UNDIMENSIONED FEATURES MAY VARY	PRODUCT DESCRIPTION <b>2.4GHz 12dBi 90° X-POL SPATIAL DIVERSITY SECTOR ANTENNA W/N-FEMALE CONNECTORS</b>		SCALE: NONE   CAD FILE: HG2412SXP-120.SLDDRW   SHEET 1 OF 1
COLOR VARIATIONS MAY OCCUR	SIZE <b>A</b>   FSCM NO. <b>43321</b>   DWG. NO. <b>HG2412SXP-120</b>   REV. <b>A</b>		