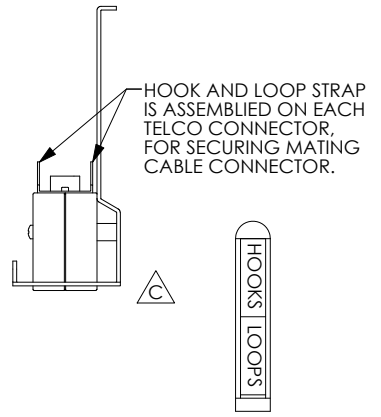
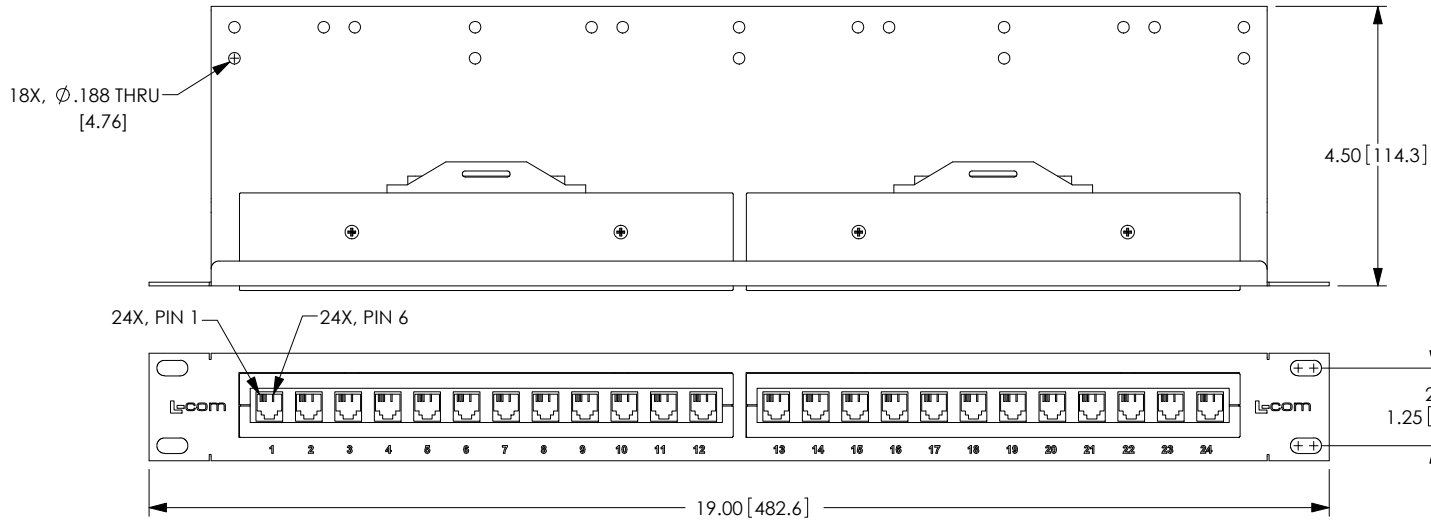


THE INFORMATION CONTAINED IN THIS DRAWING IS THE SOLE PROPERTY OF L-COM, INC. ANY REPRODUCTIONS IN PART OR WHOLE WITHOUT THE WRITTEN PERMISSION OF L-COM, INC. IS PROHIBITED.

REVISIONS			
REV	DESCRIPTION	DATE	CHANGED BY
A	REDRAWN FROM MAC 99-030272, NEW FORMAT	10/27/99	D.FRISIELLO
B	ECN5546: REMOVED WRITE-IN SPACES & ASSOCIATED NOTE, UPDATE FORMAT	06/28/11	DFP
C	ECN 5600: RE-DESIGNED PANEL PROFILE, REVISED PANEL NOTES	7/13/11	D.FRISIELLO



WIRING SCHEDULE

JACK NO.	RJ45 PIN NO.	50 PIN CONNECTOR PIN NO.	JACK NO.	RJ45 PIN NO.	50 PIN CONNECTOR PIN NO.
1 OR 13	1	26	7 OR 19	1	38
	2	1		2	13
	3	27		3	39
	6	2		6	14
2 OR 14	1	28	8 OR 20	1	40
	2	3		2	15
	3	29		3	41
	6	4		6	16
3 OR 15	1	30	9 OR 21	1	42
	2	5		2	17
	3	31		3	43
	6	6		6	18
4 OR 16	1	32	10 OR 22	1	44
	2	7		2	19
	3	33		3	45
	6	8		6	20
5 OR 17	1	34	11 OR 23	1	46
	2	9		2	21
	3	35		3	47
	6	10		6	22
6 OR 18	1	36	12 OR 24	1	48
	2	11		2	23
	3	37		3	49
	6	12		6	24

RJ45 BRIDGE ASSY NOTES:

- EACH OF THE TWO BRIDGING ABS SHELLS IN A PANEL ARE IDENTICAL, HAVING TWELVE RJ45 JACKS IN FRONT AND ONE 50 PIN MICRO-RIBBON (TELCO) (MALE OR FEMALE) CONNECTOR ON THE BACK.
- EACH BRIDGING ASSEMBLY IS WIRED ACCORDING TO EIA568B REQUIREMENTS MODIFIED FOR 10BASE-T.
- ALL CONNECTOR CONTACTS ARE GOLD PLATED.

RACK PANEL NOTES:

- STANDARD 1.75" X 19.00" RACK PANEL DESIGN.
- MATERIAL: .06 THK. (16 GAUGE) SHEET STEEL.
- FINISH: FLAT BLACK POWDER COAT.
- MARKING: WHITE SILK-SCREENED NUMBERS.
- ALL DIMENSIONS ARE REFERENCE ONLY.

MODEL NO.	50 PIN TELCO GENDER	RJ45 JACK
ECHL24-10BTF	FEMALE	RJ46 JACK (8 X 8)
ECHL24-10BTM	MALE	

NO CONNECTIONS TO TELCO CONTACTS 25 & 50

UNLESS OTHERWISE SPECIFIED, DIMENSIONS ARE IN INCHES (mm)
 OVERALL CABLE LENGTH TOLERANCE:
 ≤12 (305) ±.01 (25) / 0
 >12 (305) ≤60 (1524) = +.015(1) / 0
 >60 (1524) ≤120 (3048) = +.02 (51) / 0
 >120 (3048) ≤300 (7620) = +.04 (1.02) / 0
 >300 (7620) = +.05 (1.27) / 0
 ALL OTHER DIMENSIONAL TOLERANCES:
 X = ±.2
 .XX = ±.02
 .XXX = ±.005

APPROVALS	DATE
DRAWN BY TJC	3/2/99
CHECKED BY ZW	3/15/99
APPROVED BY ZW	3/15/99

L-com Global Connectivity 45 BEECHWOOD DRIVE NORTH ANDOVER, MA 01845

CATEGORY: RACK PANEL

PRODUCT DESCRIPTION: ECHL24-10BT 10 BASE-T RACK PATCH PNL

SIZE	PSCM NO.	DWG. NO.	REV.
B	43321	ECHL24-10BT	C

SCALE: 1:1 CAD FILE: ECHL24-10BT.SLDORW SHEET 1 OF 1

